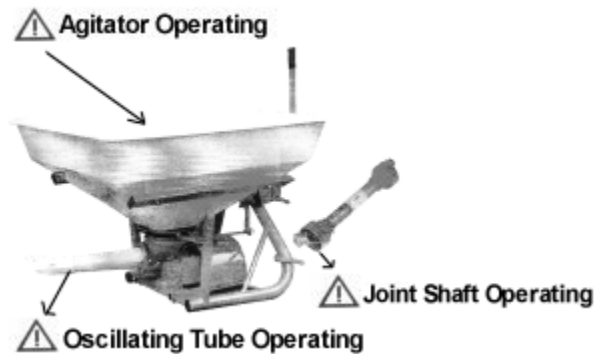


# RONDINI SQTF



## 1 - How to use the machine

The spreader cannot be used for other purposes than those ones for which had been designed.

The liability is null and void in case of damages occurred when the machine is used for different applications than those ones specified by the manufacturer.

The way of operating the machine implies also to:

- Follow the operative prescription, maintenance and repair given by the manufacturer,
- The use of original parts and accessories advised by the manufacturer.

The spreader must be operated and repaired by skilled operators who are familiar with the way of using the machine. Said operators must be also aware of the dangers that can arise along the use of the machine.

The operator is requested to strictly follow the rules concerning the:

- accidents prevention
- labour safety rules
- circulation on public roads.

The operator must strictly follow the warnings stuck on the machine.

For whatever modification worked out on the machine by the user or by whatever person without the written permission of the manufacturer, the liability is born by the machine's owner.

**A)** The noise level created by the machine whilst working is less than 80 dB.

Prior operating and setting at work the unit machine-tractor, be sure of its conformity with the rules concerning the safety of labour and the road traffic code.

## **2 - Generality**

1. Strictly follow, besides the instructions reported on the present manual, the rules concerning the safety, and accident prevention prescriptions.
2. The warnings placed on the machine show the indications concerning the safety measures to be taken to prevent accidents.
3. When travelling on public roads strictly follow the traffic rules.
4. Prior starting at work the operator must necessarily get familiar with the controls and operating devices of the machine and their respective functions.
5. Dress in suitable way. Slapping clothes could get entrapped into the moving parts.
6. It is advisable to operate on tractors provided with cabin or with a safety frame according to the running rules.
7. Prior starting the job check if somebody is moving around (children). Try to have enough visibility. Move away any animal or person from the dangerous area of the machine (spreading area).
8. Carrying persons or animals during the job or during the displacements is strictly forbidden.
9. The connection of the machine to the tractor must be performed to the available engagement points according to the running safety rules.
10. Be prudent when engaging or disengaging the machine onto/from the tractor.
11. Prior connecting the machine, be sure that the ballasting of the front axle of the tractor be the suitable one. The ballasting must be performed on the proper brackets according to the specifications of the tractor's manufacturer.
12. Be sure that the load on the tractor front axle does not overcome the authorized one.
13. Strictly follow the maximum clearance gauge when travelling on the public roads.
14. Prior getting into a traffic road provide the machine with working guards and signalling devices (lights, reflex reflectors ... ) imposed by the law.
15. All remote control devices (cables, ropes, rods, flexible lines..) must be positioned in such a way as to prevent to perform manoeuvres which could lead to accidents or damages.

16. Do not leave the operating seat while the tractor is still moving.
17. The speed and the way of driving must always be according to the ground. In all cases do not perform sudden direction changes.
18. The steering uniformity, tractor adhesion, road holding and the efficiency of the braking devices are influenced by the following factors: weight and nature of the connected machine, ballasting of the front axle and the state of the ground or the cobblestone paving. It is important then, to follow the prudence rules dictated by each situation.
19. Be cautious when steering taking into consideration the trim, length, height and weight of the machine.
20. Prior using the machine check that all the guard devices are applied and be in good state. Damaged guards must be immediately replaced.
21. Prior beginning the job check the tightening of nuts and, screws and more peculiarly, those which are locking the implements (discs, firms, deflectors..). Tighten them if it were necessary.
22. Do not remain in the operating area of the machine (spreading area).
23. **CAUTION!** Crackings and shearing cases could take place on the remote control devices and in particular way on those hydraulically controlled ones.
24. Prior leaving the tractor seat, or in case of performing jobs on the machine, switch off the engine, remove the starting key and wait for the complete stop of all the moving parts.
25. Do not stand between the machine and the tractor without having applied the tractor hand brake and gear box parking mechanism.
26. Prior performing whatever job on the machine be sure that it cannot be incidentally moved.
27. Prior to loading the fertilizer into the hopper, read the instructions carefully, which are printed in the operator's manual, concerning the precautions to be taken in case of the toxicity and corrosive nature of the product. Prior performing the operation disconnect the power take off, switch off the engine, remove the starting key.
28. **CAUTION!** Do not overcome a lateral grade of 10 -11%. Turnover danger.

### 3 - Connection

1. When connecting or disconnecting the machine to/ from the tractor, place the hydraulic hoisting device lever in such a position as to prevent it to be neither operated nor to be incidentally moved.
2. When connecting the machine onto the three points of the tractor, be sure that forks and pins have the same diameter of the tractor's joints.
3. **Caution!** Around the three connection points, there is a risk of breakage or shearing of the connecting pins.
4. Do not stay between the machine and the tractor when acting the hoisting controlling lever.

5. During the transportation the hoisting arms must be secured by means of stiffening rods as to prevent oscillations and lateral rocking of the machine.
6. When the machine is not to be transported in hoisted position, block the booster controlling lever.

### 3 - Connection

1. When connecting or disconnecting the machine to/ from the tractor, place the hydraulic hoisting device lever in such a position as to prevent it to be neither operated nor to be incidentally moved.
2. When connecting the machine onto the three points of the tractor, be sure that forks and pins have the same diameter of the tractor's joints.
3. **Caution!** Around the three connection points, there is a risk of breakage or shearing of the connecting pins.
4. Do not stay between the machine and the tractor when acting the hoisting controlling lever.
5. During the transportation the hoisting arms must be secured by means of stiffening rods as to prevent oscillations and lateral rocking of the machine.
6. When the machine is not to be transported in hoisted position, block the booster controlling lever.

### - Moving Parts

#### (P.T.O. and cardan shaft)

1. Always use joint shafts delivered with the machine or those advised by the manufacturer.
2. The guards of the power take off and joint shafts should be always applied and be in a very good state.
3. Check the correct overlapping of the tubes of the joint shafts as well as to be correctly positioned while operating and also during the transportation of the machine.
4. Prior connecting or disconnecting a joint shaft, disengage the power take off and remove the starting key.
5. If the joint shaft is equipped with a torque limiting device or with a back stop, the latter must be absolutely mounted on the power take off of the machine.
6. Be careful when assembling and positioning correctly the joint shafts.
7. Be sure that the guards of the joint shafts are stiffened by means of chains provided for this purpose.
8. Prior engaging the power take off be sure that the selected speed and rotation sense are in accordance with the specifications of the manufacturer. Engage the power take off at engine low speed.

9. Prior engaging the power take off be certain that no persons or animals are staying around the machine.
10. Disengage the power take off when the angular limits of the joint shaft specified by the manufacturer are about to be overcome (25°).
11. **Caution!** After the disengagement of the power take off, the moving parts can still rotate for certain instants. Do not approach to them.
12. When storing the machine, the joint shaft must be hanged onto the machine by means of a proper chain.
13. After having taken out the joint shaft from the power take off of the tractor, it must be always provided with its guards.
14. In case the guards of the power take off and joint shaft were out of use, replace them immediately.

## 5 - Maintenance

1. Prior performing whatever maintenance or repairing job or when it deals of individuating the origin of a defect or the reason of a working accident, disengage the power take off, switch off the engine and remove the starting key from the panel.
2. Periodically check the tightening of nuts and screws. Tighten them if it were necessary.
3. Prior performing maintenance operations on a machine in raised position prop it by means of proper means.
4. When it deals with the replacement of a part, wear hand gloves and use proper means for said operation.
5. To respect the environment it is forbidden to bum or scatter oils, greases and filters of any kind. Deliver them to specialized services for their salvage.
6. All guards devices subjected to normal wear must be periodically checked. Replace them if it were necessary.
7. The spare parts must be in accordance with the specifications given by the manufacturer. Use originals spares only!
8. Prior performing welding jobs on the connected machine to the tractor, remove the alternator and battery's cables.

## 6 - Setting at Work

### A - Preparation of the machine

#### At the delivery:

- Check if some parts are missing.
- Be sure that the hopper is free from foreign matters.
- The spreader must be used for the designed purposes only.
- Check for eventual damages occurred during the transportation and no bags or

parts are missing. The claims will be taken into consideration if reported at the delivery.

- Show eventual damages to your transporting agent.
- In case of doubts or controversies apply to your selling agent.

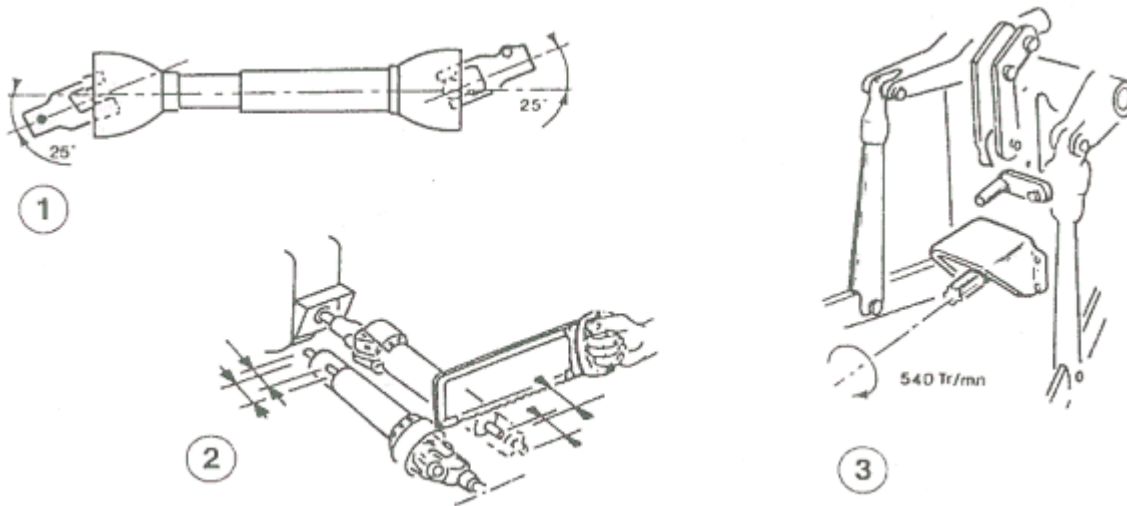
## B - Maintenance

Clean all parts providing of not damaging the gear box, or other parts of the machine.

## C - Transmission (for models working with joint shaft)

Prior using the machine grease the joint shaft.

To preserve the joint shaft in a good working state: (see figure below)



- Do not overcome the joint working angular position of 25° (1). Check that the length of the joint shaft suits your tractor.
- Let a clearance of 3 cm at each end (2).
- The rotation speed must be of 540 r.p.m. (3).

## D - Connection (for models working with joint shaft)

- The spreader must be connected to the three points device.
- The lugs position of machine and tractor must be equivalent.
- Place the spreading disc or the oscillating tube at a distance of 70/80cm and

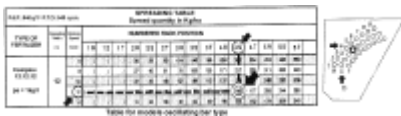
parallel to the ground.

## 7 - Adjustments

### A - Capacity adjustment

- Adjust the lever opening position of the port according to: the quantity to be spread, the tractor speed and the fertilizer used by placing the index from 0 to 10 for models working with spreading disc and from 0 up to 9 for models working with oscillating tube.
- To get a uniform capacity keep a constant forwarding speed.
- Adjustment rules (see diagram or table).

The table below is an example of how to achieve correct spreading adjustment



Click on the image for a large screen view

### B - Width adjustment

The spreader had been designed to get a good fertilizer distribution on the ground. To get good results it is necessary to reach the following conditions:

- Keep the power take off rotational speed at 540 r.p.m. (the spreading width is strongly influenced by said speed).
- Keep the machine in horizontal position and the centrifugal disc or oscillating tube at 70/80cm above the ground level.
- Keep the spreading fins and the oscillating tube in a good state.
- The hopper agitator must be replaced if excessively worn.

**Other factors influencing the fertilizer distribution:**

- The unit weight of the product and its dimension.
- The specific humidity and the wind.

## 8 - Maintenance & Preservation

### A- Washing procedure: advices

The spreader is an agricultural implement whose maintenance is difficult to perform. It is constantly submitted to the worst conditions:

- Chemical etching: potassium, phosphoric acid, nitrogen.
- Mechanical damages: granulated abrasion, shocks and scoring.
- Weather damages: rain, close to the sea, inclemency of the weather.
- High pressure washing: high pressure and too close to the machine.

## 9 - Suggestions

### Before setting at work:

- Spray a mixture of fuel and oil on the implement and specially on concealed parts and corners without forgetting to perform the operation in a ventilated room or at open air.
- Apply, by means of a brush or greaser a thick grease on the moving parts as joint shafts and spiders.

### After each work:

Wash the implement after each work without excessive pressure and without approaching too much the jet to the moving parts (i.e. bearings).

- Dry carefully the implement.

Water + fertilizer = liquid fertilizer = corrosion

- Spray a mixture of fuel and vegetal oil on the implement in a well ventilated room or at open air.
- Grease with brush or greaser the moving parts.

### At the end of each season:

- After the washing, drying, spraying and greasing operations, store the implement far from the inclemency of the weather. The oxidation causes serious damages when the implement remain at rest.

### If cracks and scoring have taken place:

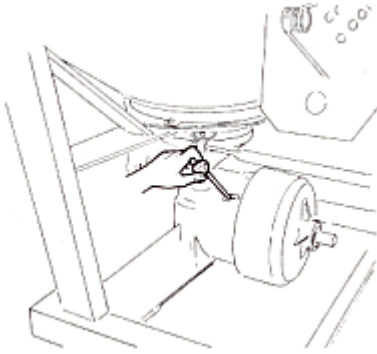
- Brush them by means of wire brush and smear a rust proof preventer.
- Store the implement on wooden boards.

### To be checked:

- Tighten the screws after 10 hours of operation. Tighten them if necessary.
- The state of the wearing parts. Replace them if necessary.
- The oil level for models equipped with gear box filled with oil. Replace the oil after the first 30 hours of operation and then after each 150 hours of operation by means of SAE 85 W6140 oil.

In the models pendulum spreaders remove the sealing plug on the transmission unit (supplied with lubricant) and replace with oil level dipstick supplied.





## 10 - Technical Specifications

Model	SQTF600 F	SQTF800 F	SQTF1000 F
Capacity (kg)	636	984	1200
Empty Weight (kg)	146	154	156
Loading Height (m)	0,97	1,09	1,19
Width (m)	1,51	1,51	1,51
Spreading Width * (m)	5-6*	5-6*	5-6*
	12-14**	12-14**	12-14**
P.T.O. r.p.m.	540	540	540
Working speed (Km/h)	4/15	4/15	4/15

Please Note: These specifications are subject to change without notification.

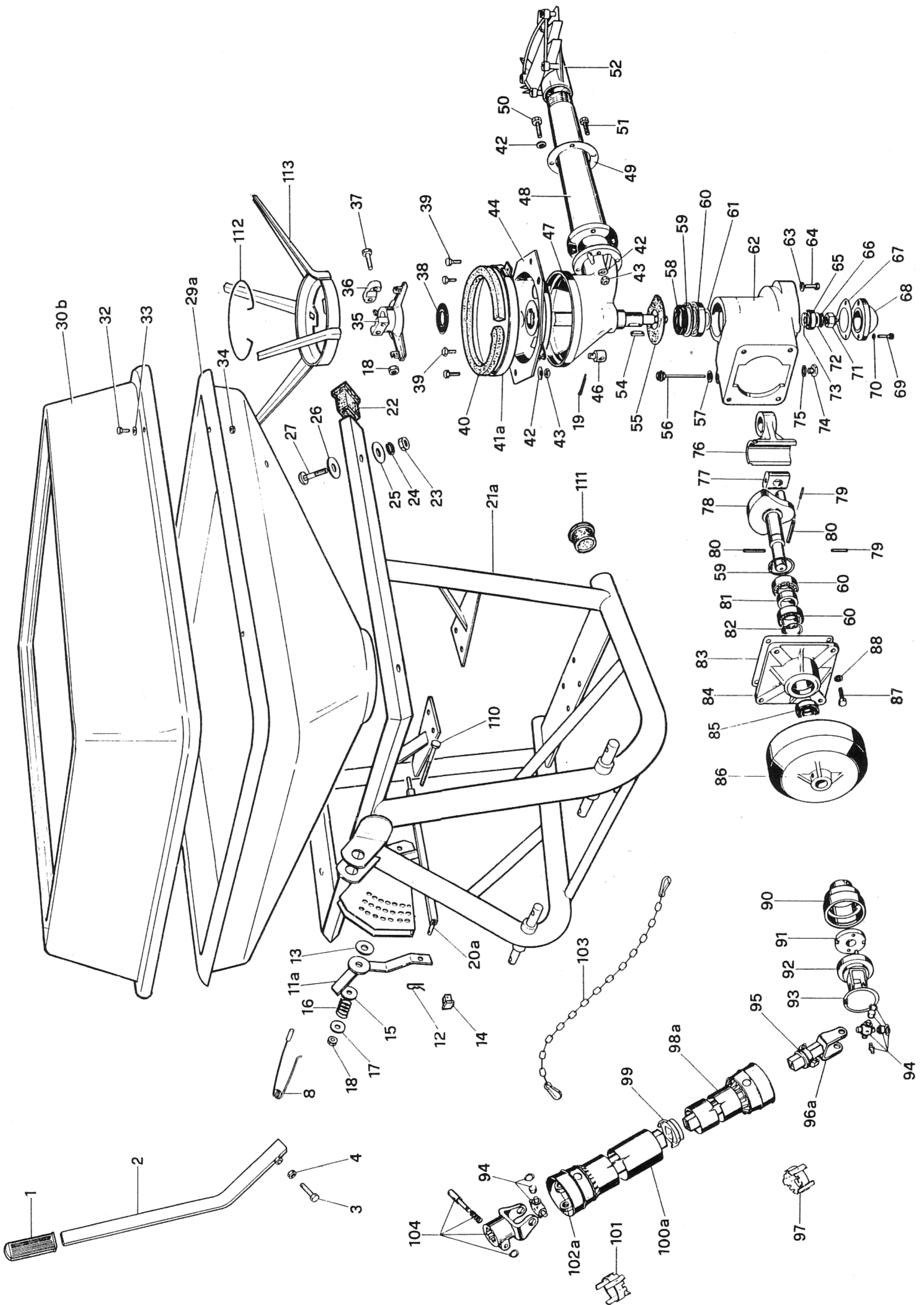
---

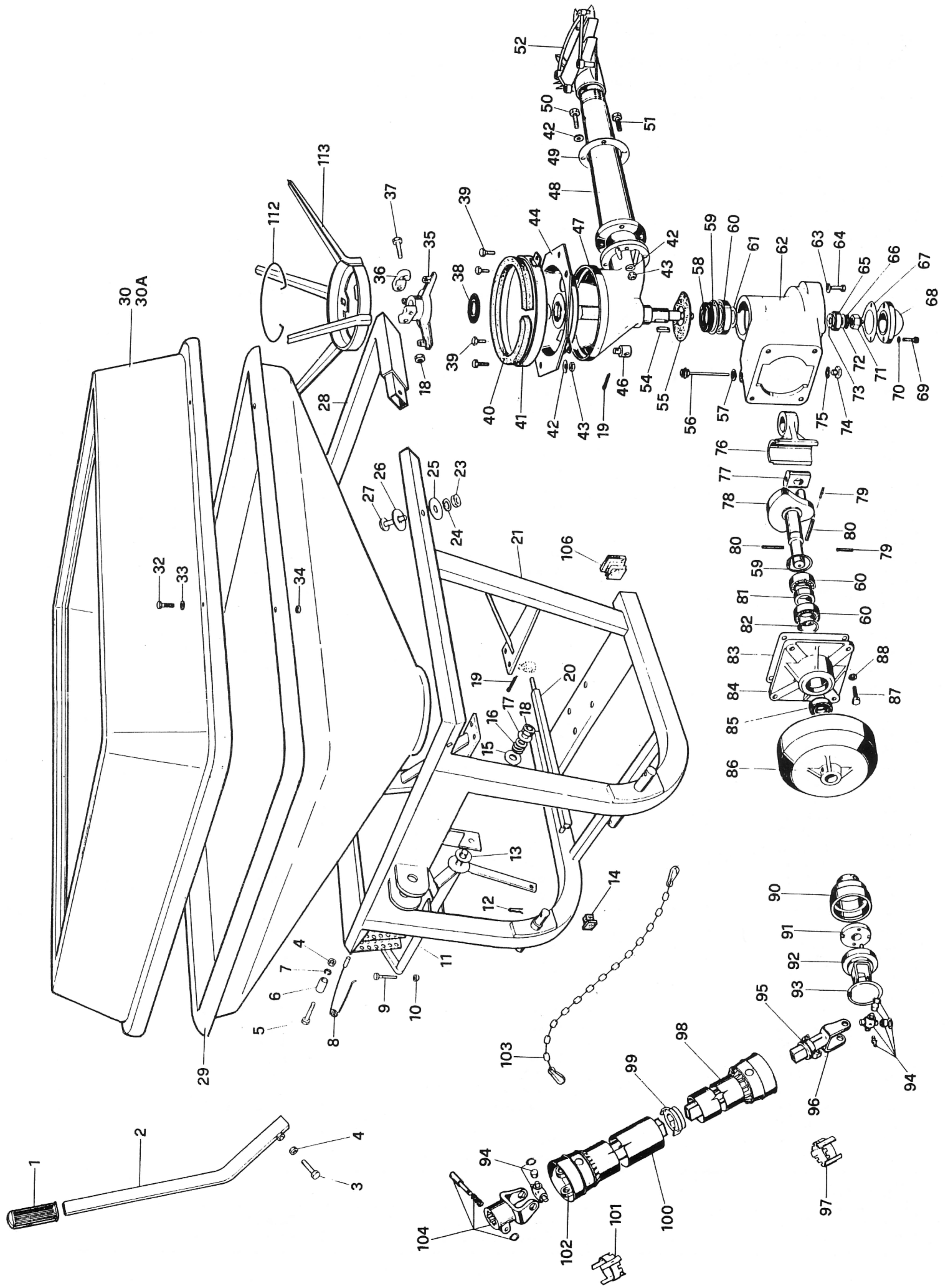
## Accessories Upon Demand

- Agitator for powdered fertilizers
- Stainless steel distribution unit
- Hydraulic remote control (600/1000)
- Flywheel protection
- Filter grate
- Rubber insert tube

\* Powdered fertilizers

\*\* Granulated fertilizers





# complessivo SQTf

Pos.	Code	Q.ty		Denomination
		404	600	
1	58.60.77	1	1	Handle
2	37.30.15	1	1	Lever
3	22.51.25	1	1	Screw
4	21.11.08	1	3	Nut
5	22.51.33	-	2	Screw
6	35.10.35	-	2	Spacer
7	20.23.08	-	2	Washer Ø8x17
8	61.17.05	1	1	Spring
9	22.15.84	-	1	Screw
10	21.30.06	-	1	Nut
11	37.32.07	-	1	Support 600
11 a	37.32.05	1	-	Support 404
12	25.00.60	1	1	Cott pin
13	58.38.22	1	1	Washer
14	58.30.53	1	1	Plug
15	20.19.16	1	1	Washer
16	61.01.43	1	1	Spring
17	20.10.13	1	1	Washer
18	21.30.12	2	3	Nut
19	25.00.60	1	1	Cott pin
20	37.34.07	-	1	Tie rod 600
20 a	37.34.05	1	-	Tie rod 404
21	37.02.15	-	1	Frame 600
21 a	37.02.11	1	-	Frame 404
22	58.30.57	2	4	Plug
23	21.10.12	4	4	Nut
24	20.24.12	4	4	Washer
25	20.19.22	4	4	Washer
26	20.11.16	4	4	Washer
27	22.93.37	4	4	Screw
28	37.73.06	-	1	Half ring
29	58.04.06	-	1	Hopper 600
29 a	58.04.29	1	-	Hopper 404
30	58.14.14	-	1	Extension 400x600
30 a	58.14.12	-	1	Extension 200x600
30 b	58.14.04	1	-	Extension 100x404
32	22.51.29	8	12	Screw
33	20.11.08	8	12	Washer
34	21.30.08	8	12	Nut
35	41.50.05	1	1	Agitator
36	41.52.05	1	1	Bracket
37	22.16.78	2	2	Screw
38	58.38.71	1	1	Washer Ø8x17
39	22.51.52	4	4	Screw
40	19.07.58	1	1	Gasket
41	39.40.05	-	1	Ring
41 a	39.40.10	1	-	Ring
42	20.23.10	4	4	Washer
43	21.11.10	7	7	Nut
44	62.70.25	1	1	Distr. unit
46	35.40.27	1	1	Pawl
48	58.20.05	1	1	Tube
49	36.84.15	1	1	Ring
50	22.51.56	1	1	Screw
51	22.51.59	3	3	Screw
52	58.22.06	1	1	Deflector
63	20.21.12	4	4	Washer
64	22.46.83	4	4	Screw
79	25.11.92	2	2	Plug
80	25.12.65	2	2	Plug
90	41.60.05	1	1	Joint
91	58.80.05	1	1	Spring drive
93	25.61.59	1	1	Ring
110	22.11.79	1	-	Screw
111	58.30.37	1	-	Plug
<b>Optional</b>				
112	61.17.15	1	1	Spring
113	39.38.15	1	1	Agitator for powder

# tavola cardano SQTF

Pos.	Code	Q.ty		Denomination
		404	600	
92	35.20.05	1	1	Fork
94	63.80.02	2	2	Cross
95	63.80.20	1	1	Ring nut
96	63.80.28	-	1	Fork
96 a	63.80.24	1	-	Fork
97	63.80.81	1	1	Ring nut
98	63.80.65	-	1	Protection
98 a	63.80.69	1	-	Protection
99	63.80.19	1	1	Ring nut
100	63.80.52	-	1	Protection
100 a	63.80.56	1	-	Protection
101	63.80.80	1	1	Ring nut
102	63.80.12	-	1	Fork
102 a	63.80.08	1	-	Fork
103	63.80.84	1	1	Chain
104	63.80.01	1	1	Fork
-	62.81.54	1	-	Drive shaft L1=800
-	62.81.58	-	1	Drive shaft L1=1000

# gruppo pendolare SQTF - Cod. 62.30.02 - ex.1700

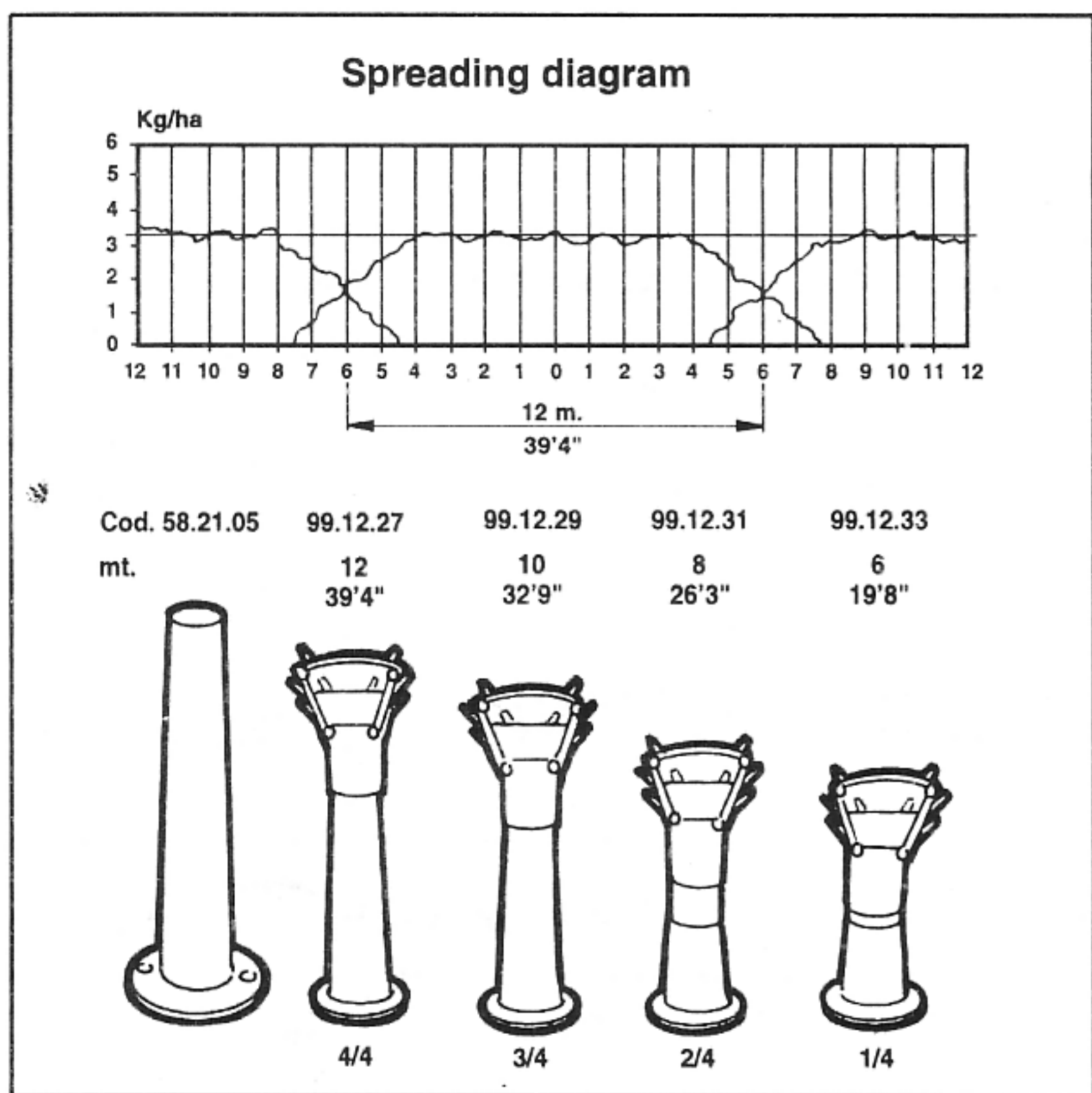
Pos.	Code	Q.ty	Denomination
47	51.05.05	1	Tank
54	25.81.03	1	Key
55	58.38.90	1	Washer
56	58.33.64	1	Plug
57	58.33.64	1	Plug
58	27.55.59	1	Ring
59	25.61.56	2	Ring
60	60.00.43	3	Bearing
61	35.10.07	1	Spacer
62	41.10.05	1	Box
65	60.00.31	1	Bearing
66	20.00.21	1	Washer
67	57.05.05	1	Gasket
68	41.13.30	1	Small lid
69	22.80.62	3	Screw
70	20.23.06	3	Washer
71	21.31.20	1	Nut
72	20.30.20	1	Washer
73	35.10.05	1	Spacer
74	26.16.77	1	Plug
75	26.16.77	1	Plug
76	41.20.05	1	Fork
77	51.45.05	1	Slide
78	31.05.05	1	Shaft
81	35.10.06	1	Spacer
82	25.60.35	1	Ring
83	57.05.10	1	Gasket
84	41.13.05	1	Lid
85	27.52.40	1	Ring
86	41.30.05	1	Flywheel
87	22.46.54	4	Screw
88	20.23.10	4	Washer

# Accessories

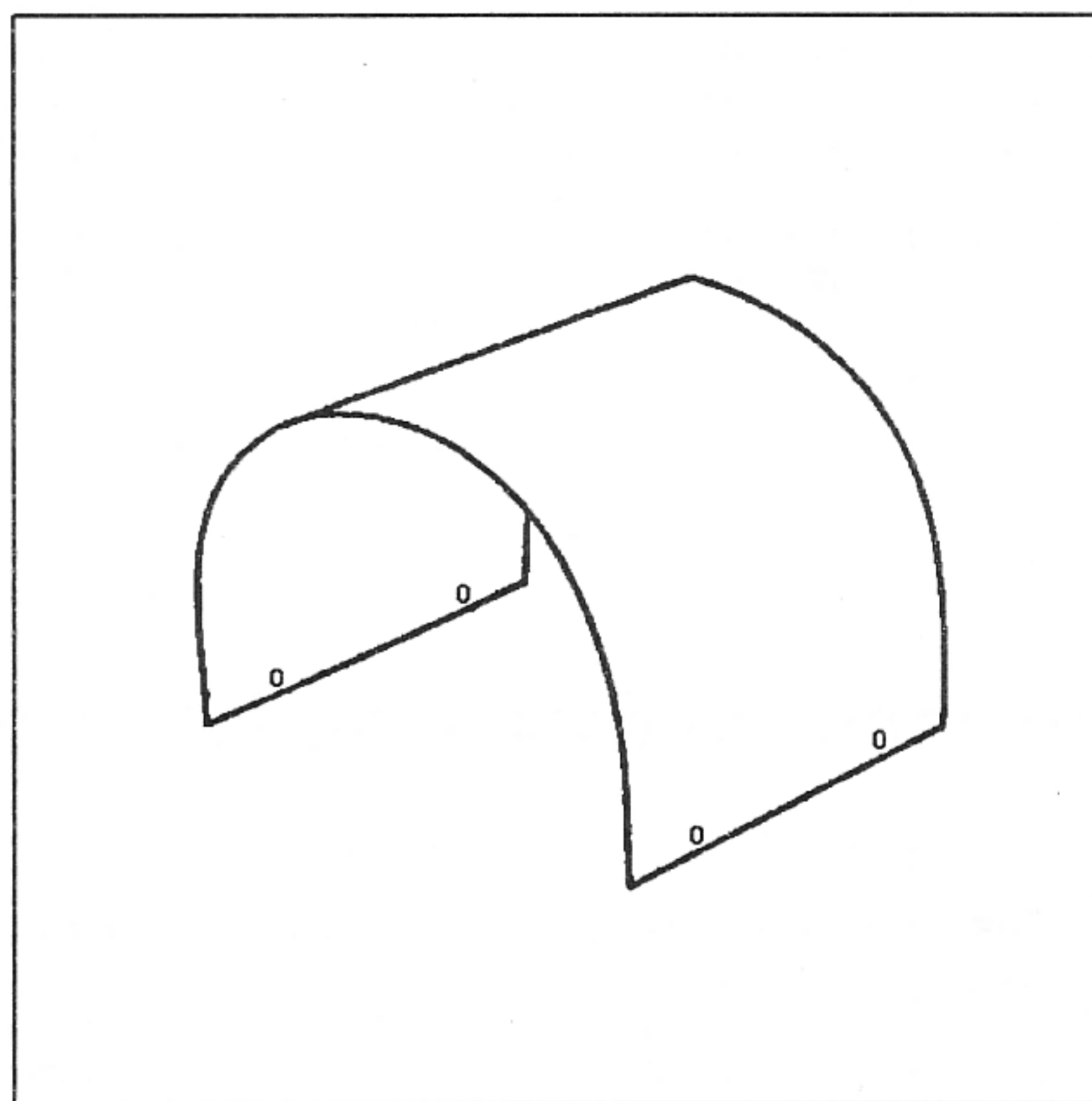
Cod.	99.12.59	99.12.56	99.12.52	99.12.05
mt.	2 6'	3 10'	5 16'	7 23'

1/4	Δ	m.	1	2	1
2/4	Δ	m.	1	3	1
3/4	Δ	m.	1	5	1
4/4	Δ	m.	1	7	1

The tapered spouts without end deflector are used for spreading on rows of trees etc.. To each shorter spout corresponds a narrowed inter-row spout. This system ensures that the fertilizer is spread almost entirely at the sides, over a band approximately 3' wide, leaving a central strip parallel to the tractor still to be spread: this strip varies to the length of the tapered spout fitted.

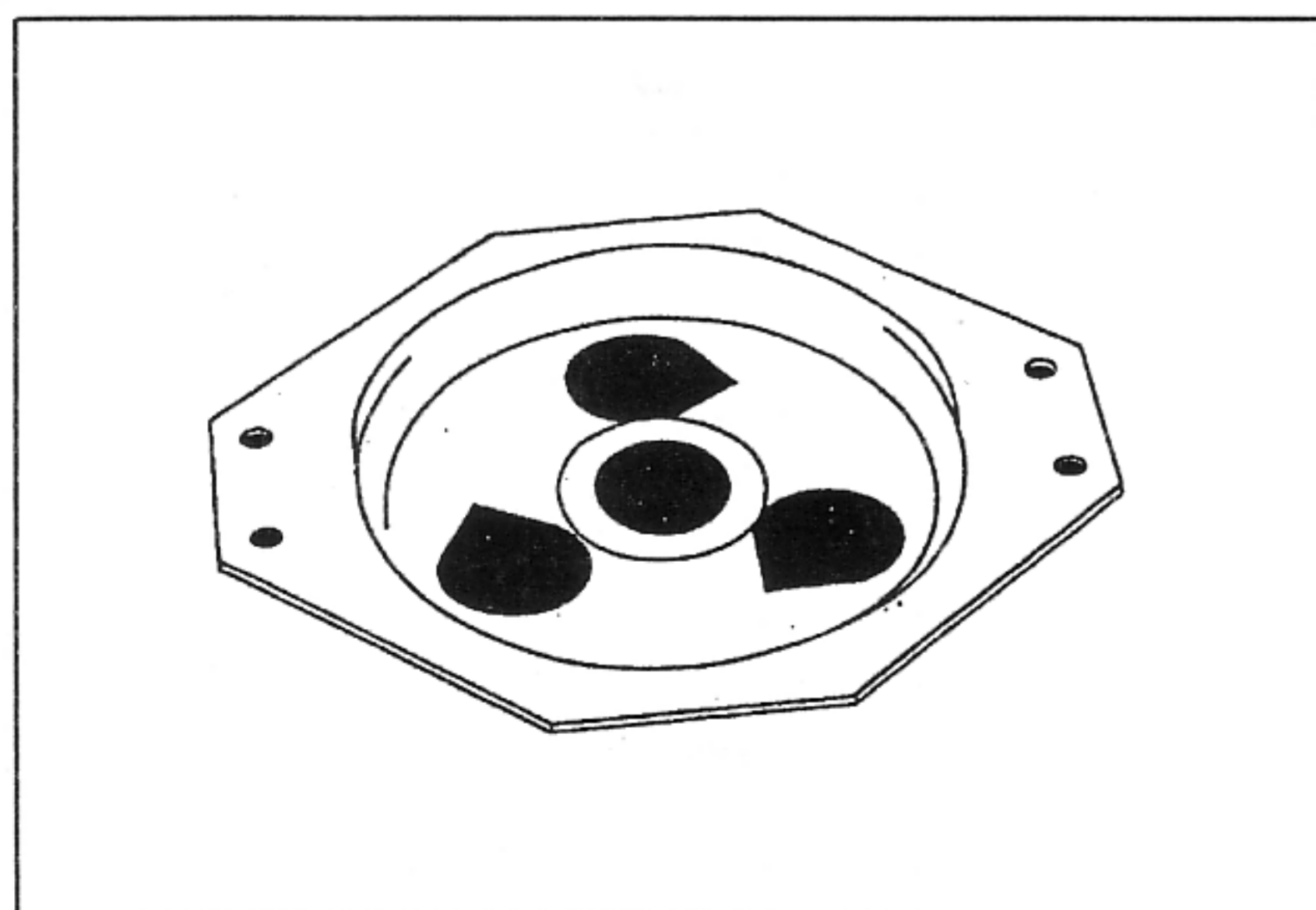


The tapered spout (4/4) supplied is a standard model allowing a spreading width of about 39'4". If less width is required, shorter tapered spouts should be fitted (e.g. 3/4-2/4-1/4). The rubber insert (cod. 58.21.05) is needed inside the tapered spout for the distribution of damp fertilizers or peat, by means of an appropriate kit.

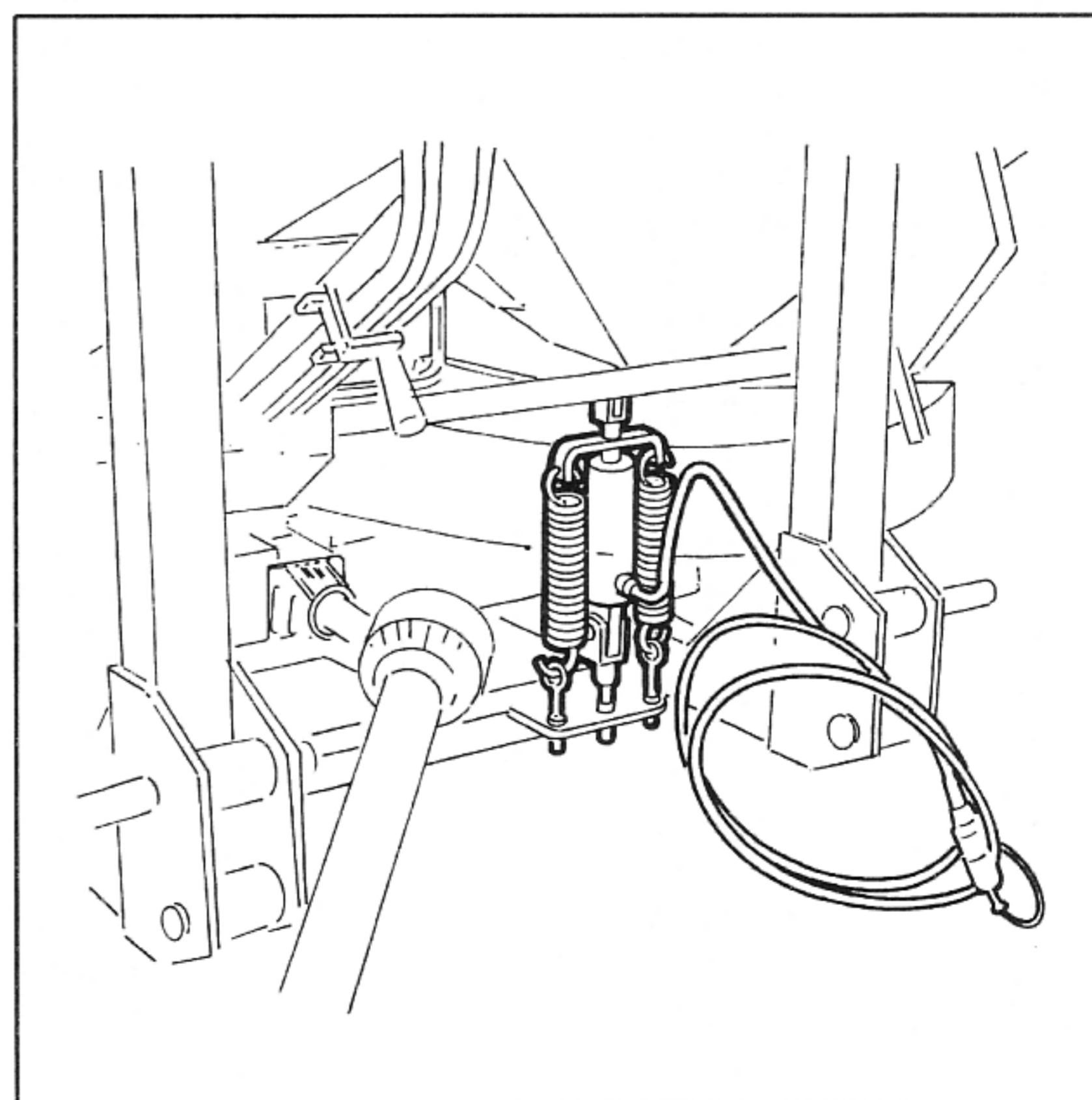


**Flywheel protection.**

- 99.42.01 (SPTO)
- 99.42.02 (SQTF 404)
- 99.42.03 (SQTF 600-800-1000)



62.70.30 - Stainless steel distribution.



99.30.30 - Hydraulic remote control (SQTF 600-800-1000).



P.d.P.: 540 g/1' - P.T.O.: 540 r.p.m.  
P.d.F.: 540 l/1' - Zapfwellen: 540 U/min.  
T.d.F.: 540 rev./1'

TABELLA DI SPANDIMENTO  
Quantità distribuita in Kg./ha

SPREADING TABLE  
Spread quantity in Kg/ha

TABLE DE DISTRIBUTION  
Quantité distribuée en Kg/ha

STREUTABELLE  
Streumengen in Kg/ha

TABLA DE ESPARCION  
Cantidad distribuida en Kg/ha

TIPO DI CONCIME TYPE OF FERTILIZER TYPE D'ENGRAIS DUNGERTYP TIPO DE ABONO	Larghezza di spandimento Spreading width Largeur d'épandage Streuweite Ancho de esparcimiento ml.	Velocità di lavoro Working speed Vitesse de travail Arbeitsgeschw. Velocidad de trabajo Km/h	POSIZIONE INDICE N.									NUMBERED RACK POSITION									POSITION INDEX NUMERE									STREUMENGENEINSTELLUNG									POSICION INDICE N°								
			1R	1S	1T	2R	2S	2T	3R	3S	3T	4R	4S	4T	5R	5S	5T	6R	6S	6T	7R	7S	7T	8R	8S	8T	9R	9S	9T																		
Cloruro di potassio granulare Granulated potassium chloride Chlorure de potassium en granule Kaliumchlorid gekörnt Clorur de potasio granulado ps=1,06kl/l	10	6	/	/	/	28	62	100	136	192	250	306	380	456	530	628	724	820	932	1044	1156	1238	1318	1400	1488	1534	1600	1660	1680																		
		8	/	/	/	19	46	75	101	144	187	229	285	342	397	469	543	615	699	783	866	928	988	1050	1099	1150	1200	1245	1260																		
		10	/	/	/	16	37	60	81	115	150	183	228	274	318	378	434	492	559	624	693	743	791	840	880	920	960	996	1008																		
		12	/	/	/	13	31	50	68	96	125	153	190	228	265	313	362	410	466	522	578	619	659	700	733	767	800	830	840																		
		14	/	/	/	11	27	43	58	82	107	130	163	195	227	268	310	351	399	447	495	531	565	600	628	657	688	711	720																		
Urea agricola Urea Urée agricole Hamstoff Urea agricola ps=0,75kl/l	10	6	/	/	/	38	64	90	116	170	222	278	336	396	456	530	606	680	768	858	946	1030	1116	1200	1234	1266	1300	1320	1335																		
		8	/	/	/	28	48	67	87	127	166	206	252	297	341	397	454	510	576	643	709	772	837	900	925	949	975	990	1000																		
		10	/	/	/	23	38	54	69	102	133	165	142	238	273	318	364	408	461	515	567	618	670	720	740	759	780	792	801																		
		12	/	/	/	19	32	45	58	85	111	138	168	198	228	265	303	340	384	429	473	515	558	600	617	633	650	660	667																		
		14	/	/	/	16	27	39	50	73	95	118	144	170	195	227	260	291	329	368	405	441	478	514	529	543	557	566	572																		
Calcicocianamide Calciumcyanamide Cyanamidcalcique Kalziumzyanamid Calcicocianamido ps=1,04kl/l	9	6	/	/	/	68	124	178	234	316	396	478	596	714	832	966	1088	1232	1346	1462	1578	1650	1728	1800	1834	1866	1900	1925	1940																		
		8	/	/	/	51	93	133	175	237	297	358	447	535	624	724	832	924	1009	1096	1182	1237	1294	1350	1375	1399	1425	1444	1455																		
		10	/	/	/	41	74	107	140	190	238	286	358	428	499	580	659	739	808	877	946	990	1036	1080	1100	1120	1140	1155	1164																		
		12	/	/	/	34	62	89	117	158	198	239	298	357	416	483	549	616	673	731	788	825	863	900	917	933	950	962	970																		
		14	/	/	/	29	53	76	100	135	170	204	208	229	357	414	471	528	577	626	675	707	740	771	788	800	814	825	831																		
Scoria fosfopotassica granulare Granulated Thomas Scorie Thomas en granule Gekörntes Thomas Escoria fosfopotassica granulada [ps=1,48kl/l]	14	6	/	/	/	32	64	94	126	182	238	294	362	432	500	598	696	794	882	970	1058	1182	1304	1428	1502	1576	1650	1692	1714																		
		8	/	/	/	24	48	70	94	136	178	220	271	324	375	488	522	595	661	727	793	886	978	1071	1128	1182	1237	1269	1285																		
		10	/	/	/	19	38	56	76	109	143	176	217	259	300	359	418	476	529	582	634	709	782	857	901	946	989	1015	1028																		
		12	/	/	/	16	32	47	63	91	119	147	181	216	250	289	348	397	441	485	529	591	652	717	751	788	825	846	857																		
		14	/	/	/	14	37	40	54	78	102	126	155	185	214	256	298	340	378	416	453	507	559	612	644	675	707	725	735																		
Scorie Thomas in polvere Powdered Thomas Scorie Thomas pulverulant Pulverförmiges Thomas Escoria Thomas en polvo ps=1,55kl/l	6	6	/	/	/	50	122	194	266	538	808	1080	1528	1976	2424	2696	2966	3238	3586	3934	4282	4680	5080	5478	5578	5630	/	/	/																		
		8	/	/	/	38	162	145	200	403	606	809	1146	1482	1817	2022	2224	2428	2689	2950	3211	3510	3810	4108	4183	4222	/	/	/																		
		10	/	/	/	30	73	116	160	323	485	647	917	1186	1454	1618	1780	1942	2152	2360	2569	2808	3048	3287	3347	3378	/	/	/																		
		12	/	/	/	25	61	97	133	269	404	540	764	988	1212	1348	1483	1619	1793	1967	2141	2340	2540	2739	2789	2815	/	/	/																		
		14	/	/	/	21	52	83	114	231	346	462	655	847	1038	1155	1271	1387	1537	1686	1835	2006	2177	2348	2391	2413	/	/	/																		



P.d.P.: 540 g/1' - P.T.O.: 540 r.p.m.  
 P.d.F.: 540 U/1' - Zapfwelle: 540 U/min.  
 T.d.F.: 540 rev./1'

TABELLA DI SPANDIMENTO  
 Quantità distribuita in Kg./ha

SPREADING TABLE  
 Spread quantity in Kg/ha

TABLE DE DISTRIBUTION  
 Quantité distribuée en Kg/ha

STREUTABELLE  
 Streumengen in Kg/ha

TABLA DE ESPARCION  
 Cantidad distribuida en Kg/ha

TIPO DI CONCIME TYPE OF FERTILIZER TYPE D'ENGRAIS DUNGERTYP TIPO DE ABONO	Larghezza di spandimento Spreading width Largeur d'épandage Streuweite Ancho de esparcimiento ml	Velocità di lavoro Working speed Vitesse de travail Arbeitsgeschw. Velocidad de trabajo Km/h	POSIZIONE INDICE N.					NUMBERED RACK POSITION					POSITION INDEX NUMERE					STREUMENGENEINSTELLUNG					POSICION INDICE N°						
			1R	1S	1T	2R	2S	2T	3R	3S	3T	4R	4S	4T	5R	5S	5T	6R	6S	6T	7R	7S	7T	8R	8S	8T	9R	9S	9T
			Complesso 12-12-12 Complex 12.12.12 Engrais complet 12.12.12 Volldünger 12X12X12 Complejo 12-12-12 ps = 1 kg/l	12	6	/	/	/	36	58	82	104	146	186	228	290	354	418	488	560	632	698	764	830	944	1056	1170	1207	1244
		8	/	/	/	27	43	61	78	109	139	171	217	265	311	366	420	473	523	573	623	708	792	878	905	933	962	972	990
		10	/	/	/	22	35	49	62	88	112	137	174	212	249	293	338	379	419	458	498	566	634	702	724	748	769	778	792
		12	/	/	/	18	29	41	52	73	93	114	145	177	208	244	280	316	349	382	415	472	528	585	603	622	641	648	660
		14	/	/	/	15	25	35	46	63	80	98	124	152	179	209	240	270	299	327	356	405	452	501	517	533	549	556	566
Perfosfato minerale Superphosphate Superphosphate Superphosphat Perfosfato mineral ps = 1,1 kg/l	12	6	/	/	/	20	42	64	86	122	160	196	252	306	362	426	492	556	636	718	798	888	980	1070	1136	1204	1270	1290	1310
		8	/	/	/	15	31	48	64	91	120	147	189	229	271	319	369	417	477	538	598	668	735	803	852	903	953	967	982
		10	/	/	/	12	25	38	51	73	96	118	151	184	217	256	295	334	382	431	478	538	588	642	682	722	762	774	786
		12	/	/	/	10	21	32	43	61	80	98	126	153	181	213	246	278	318	359	399	444	490	535	568	602	635	645	655
		14	/	/	/	9	18	27	36	52	69	84	108	131	155	183	211	238	273	308	342	380	420	459	487	516	544	553	561
Nitrato ammonico Ammonium nitrate Nitrate d'ammoniac Kalkammonsalpeter Nitrato amonico ps = 1,05 kg/l	12	6	/	/	/	56	92	128	164	218	270	324	404	484	564	652	742	830	956	1082	1208	1274	1340	1407	1448	1490	1532	1544	1556
		8	/	/	/	42	69	96	122	163	202	243	303	363	423	489	556	623	717	811	906	955	1005	1055	1086	1117	1148	1158	1167
		10	/	/	/	34	55	77	98	131	162	194	242	290	338	391	445	498	574	649	725	762	804	844	869	894	919	926	934
		12	/	/	/	28	46	64	82	109	135	162	202	242	282	326	371	415	478	541	604	637	670	704	724	745	766	772	778
		14	/	/	/	24	39	55	70	93	116	139	173	207	242	279	318	356	410	464	518	548	574	603	621	638	656	662	667
Nitrato di calcio Calcium nitrate Nitrate de calcium Kalksalpeter Nitrato de calcio ps = 1,03 kg/l	10	6	/	/	/	/	/	/	78	114	152	190	246	300	356	424	492	560	634	706	780	870	960	1050	1154	1256	1360	1400	1435
		8	/	/	/	/	/	/	59	85	114	142	184	225	266	318	369	420	475	529	585	625	720	788	865	942	1020	1050	1076
		10	/	/	/	/	/	/	47	68	91	113	148	180	213	254	295	336	380	424	468	522	576	630	692	754	812	840	861
		12	/	/	/	/	/	/	39	57	78	95	123	150	178	212	246	280	317	353	390	435	480	525	577	628	680	700	717
		14	/	/	/	/	/	/	33	49	65	81	105	129	152	182	211	240	272	303	334	373	411	450	495	538	583	600	615
Solfato ammonico Ammonium sulphate Sulfate d'ammoniac Ammoniumsulfat Sulfato amonico ps = 1,03 kg/l	7	6	/	/	/	66	124	182	240	322	404	486	620	752	886	1028	1172	1314	1490	1666	1842	2050	2256	2464	2490	2514	2540	2570	2585
		8	/	/	/	49	93	136	180	241	303	364	465	564	664	771	879	986	1117	1249	1381	1537	1692	1847	1867	1885	1905	1927	1939
		10	/	/	/	40	74	109	144	193	242	291	372	451	531	617	703	788	894	999	1105	1230	1354	1478	1494	1508	1525	1542	1551
		12	/	/	/	33	62	91	120	161	202	243	310	376	443	514	586	657	745	833	921	1025	1128	1232	1245	1257	1270	1285	1292
		14	/	/	/	38	53	78	103	138	173	208	268	322	379	440	502	563	639	714	789	878	967	1056	1067	1077	1089	1101	1108
Solfato potassico magnesiac Magnesium potassium sulphate Sulfate potassique de magnesium Ammonsulphatsalpeter Sulfato potasico de magnesio [ps = 1,14 kg/l]	11	6	/	/	/	28	56	86	114	162	212	260	326	390	456	520	582	616	736	828	918	1034	1152	1268	1327	1386	1445	1486	1500
		8	/	/	/	21	42	64	86	121	159	194	244	292	341	390	436	484	552	621	689	775	864	951	995	1039	1084	1115	1125
		10	/	/	/	17	34	52	68	97	127	155	196	234	273	312	349	387	442	497	551	620	691	761	796	832	867	892	900
		12	/	/	/	14	28	43	57	81	106	130	163	195	228	260	291	323	368	414	459	517	576	634	683	693	723	743	750
		14	/	/	/	12	24	37	49	69	91	111	140	167	195	223	249	276	315	355	393	443	493	543	569	594	619	637	643